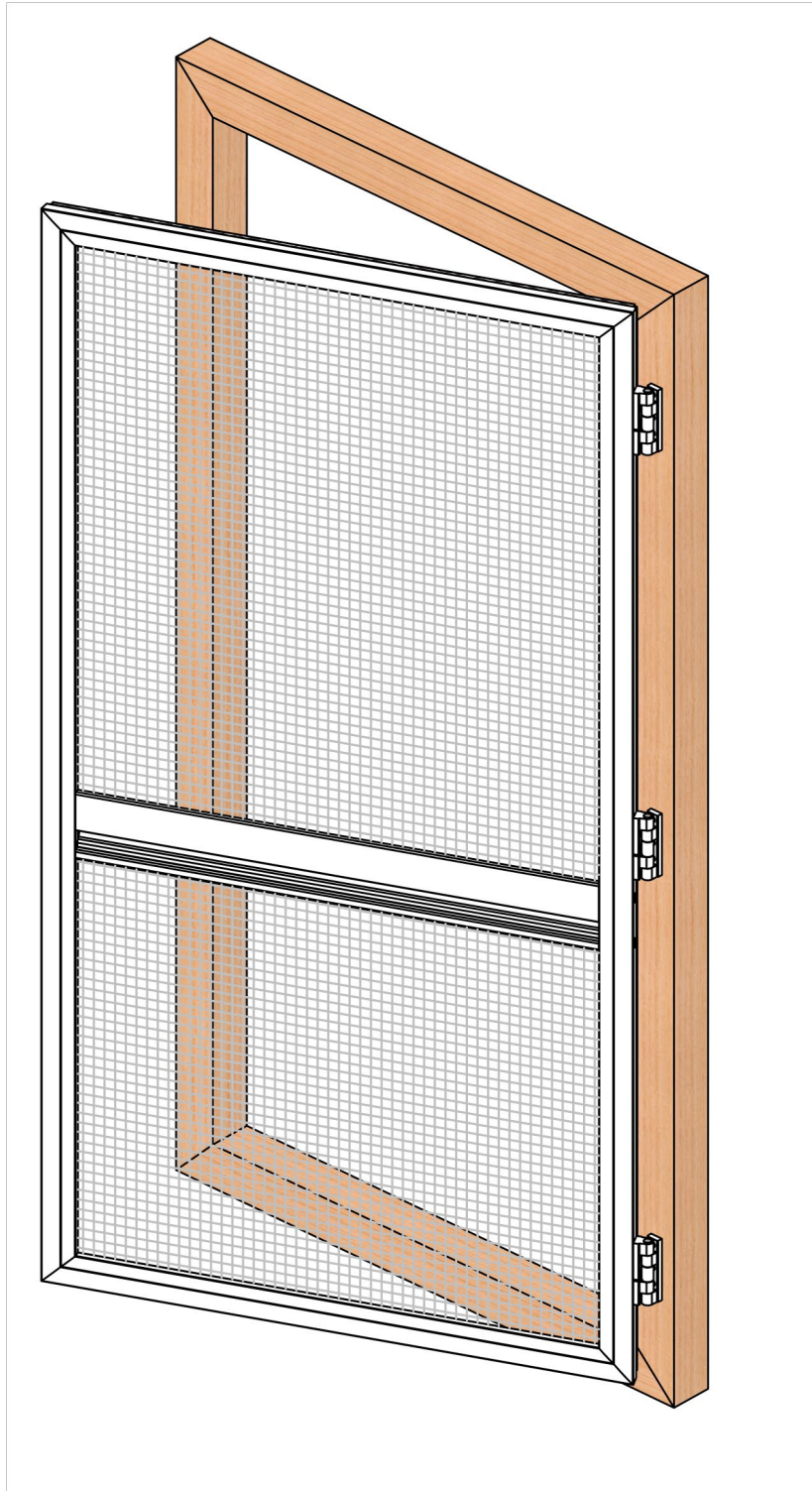
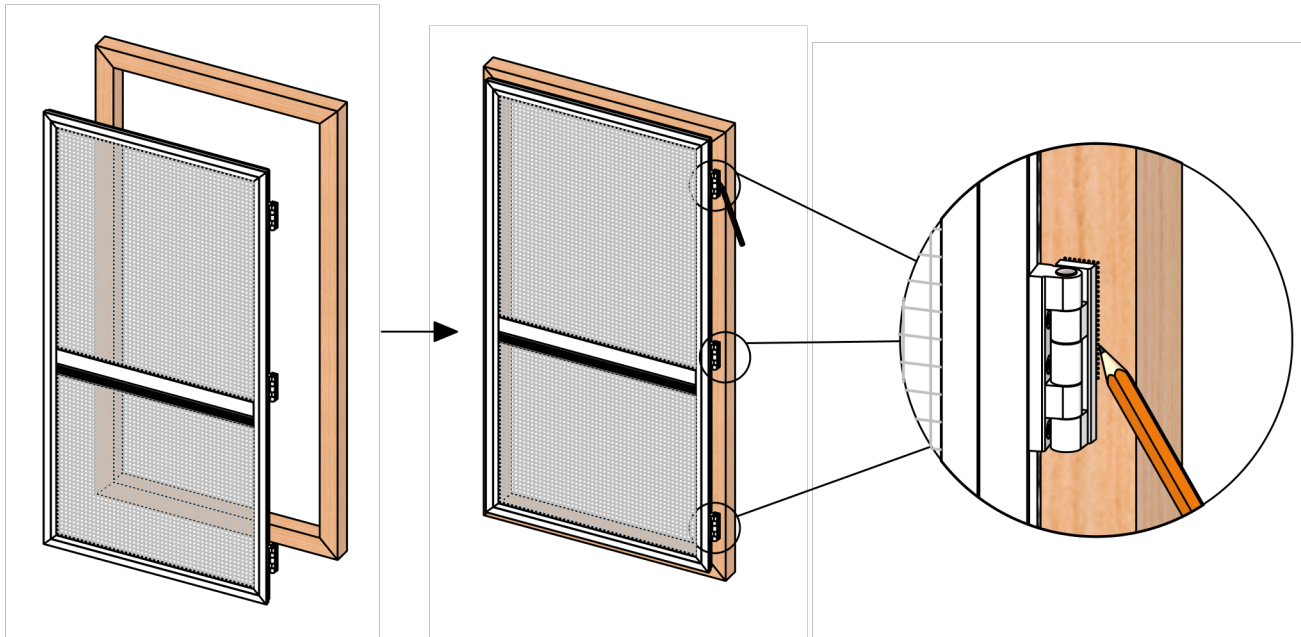


Vegas Mosquito - door insect screen

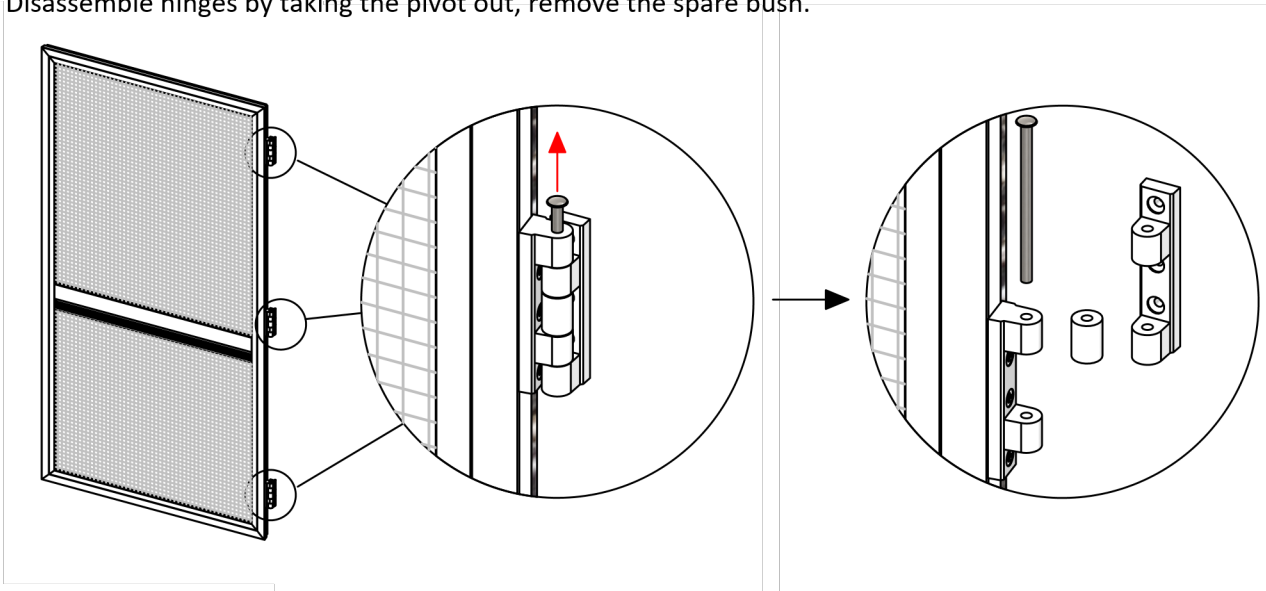
Assembly instruction



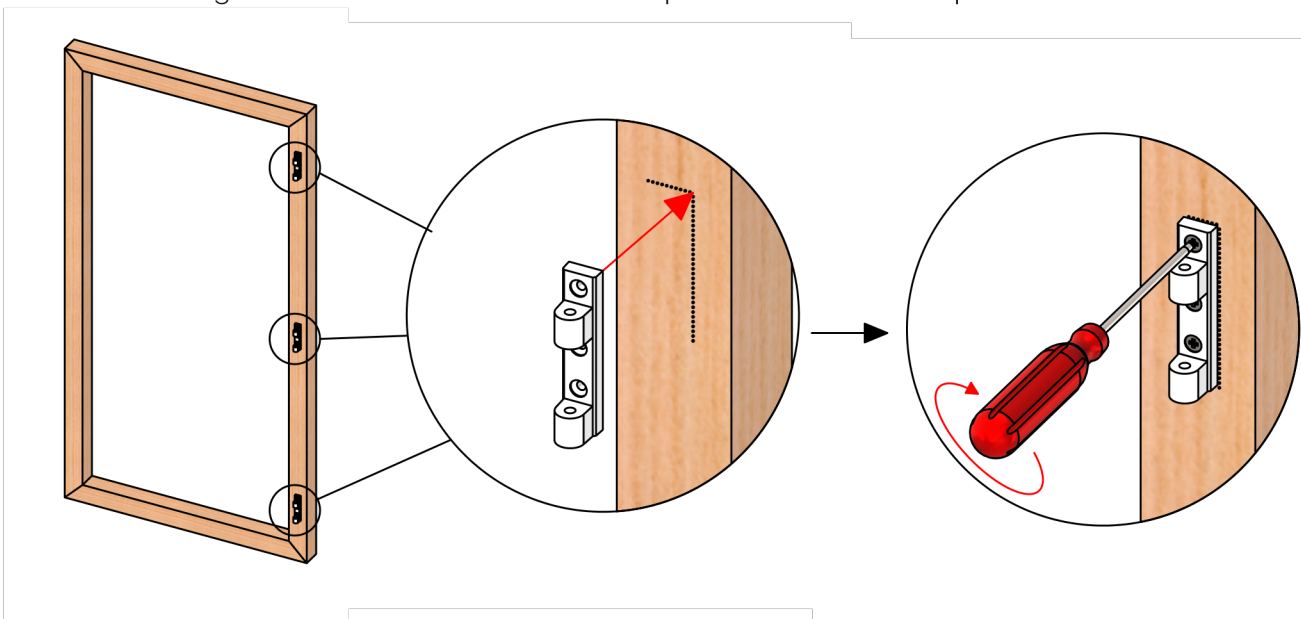
1. Put the insect screen to the frame to mark the location of the hinges on the door frame. The insect screen frame should evenly overlap the door frame on each side. Mark the hinge mounting places.



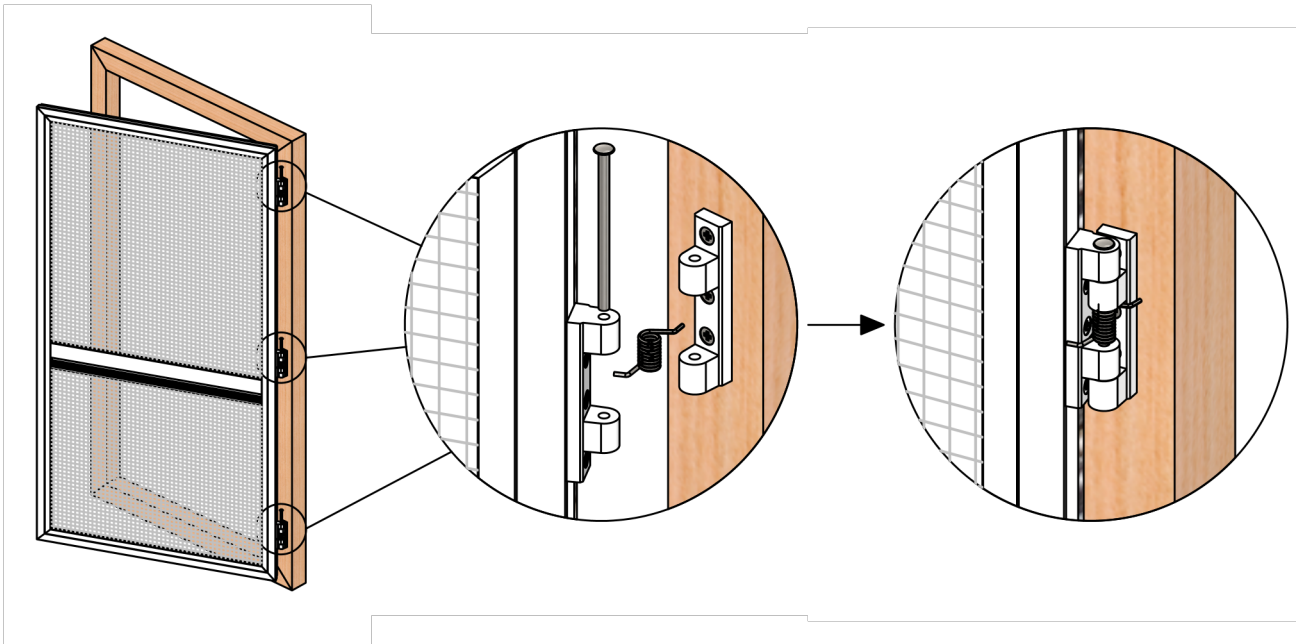
2. Disassemble hinges by taking the pivot out, remove the spare bush.



3. Screw the hinges to the door frame in the marked places and check their position



4. Hang the insect screen on the hinges and insert the self-closing springs in the place of removed bushes.



Insect screen use instruction

Measurement and assembly

- Measurement and assembly should be done by a trained person.
- The manufacturer is not liable for incorrect measurement or assembly.

Use

- To open the insect screen door use the handle shaped middle bar.
- Use the insect screen only when there is no obstacles within its opening range.
- In case of incorrect operation of the insect screen please inform the seller.

Insect screen care

- The insect screen should be cleaned from time to time.
- The insect screen should be disassembled and protected during any renovation or high dustiness.

The manufacturer is not liable for:

- Improper net tension due to incorrect use.
- Assembly inconsistent with intended use (in places where the mesh may be deformed like high humidity area or next to the sources of heat).
- Loss of aesthetics due to dirt, chemical damage, etc.
- Any damages to the insect screen caused by remaking or repairing done by the customer.
- Any scratches on the varnish and damage to the mesh while unpacking the product.
- Any mechanical damage or damage caused by:
 - Inappropriate use
 - Careless storage or excessive overload
 - Failure to comply with the manufacturer assembly instructions
 - Random incident