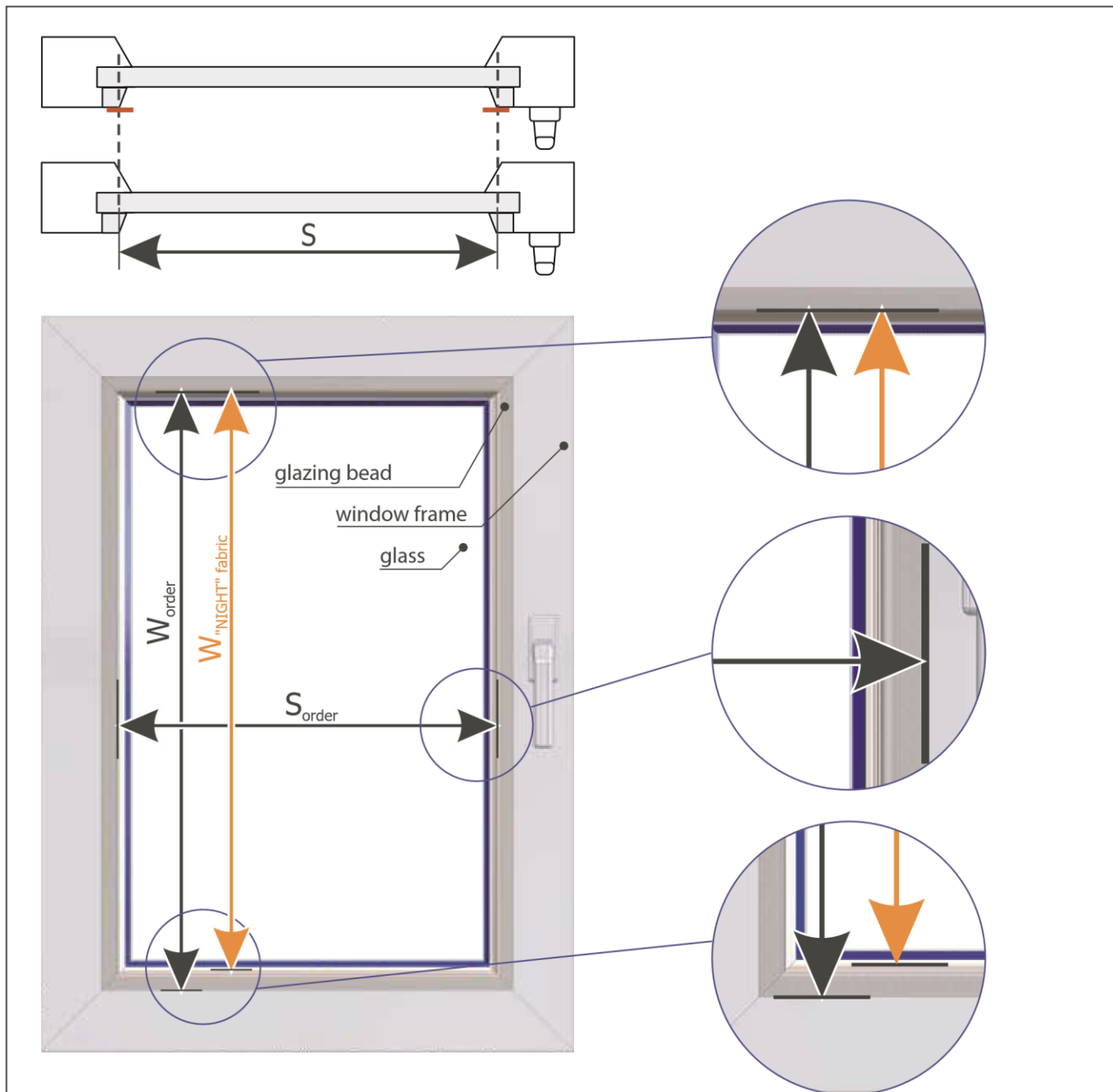


MEASUREMENT CARD

Vegas CLASSIC / CLASSIC XL roller blinds, NIGHT and DAY fabric

Measurement by glazing bead level - according to the edge dimensions



Vegas CLASSIC / CLASSIC XL roller blinds

S - order width (bevelled glazing bead)

The width should be given as the width of the glazing beads bevels.

W - order height (bevelled galzing bead)

Measurement should be taken from the end of the bottom glazing bead to the top glazing bead level.

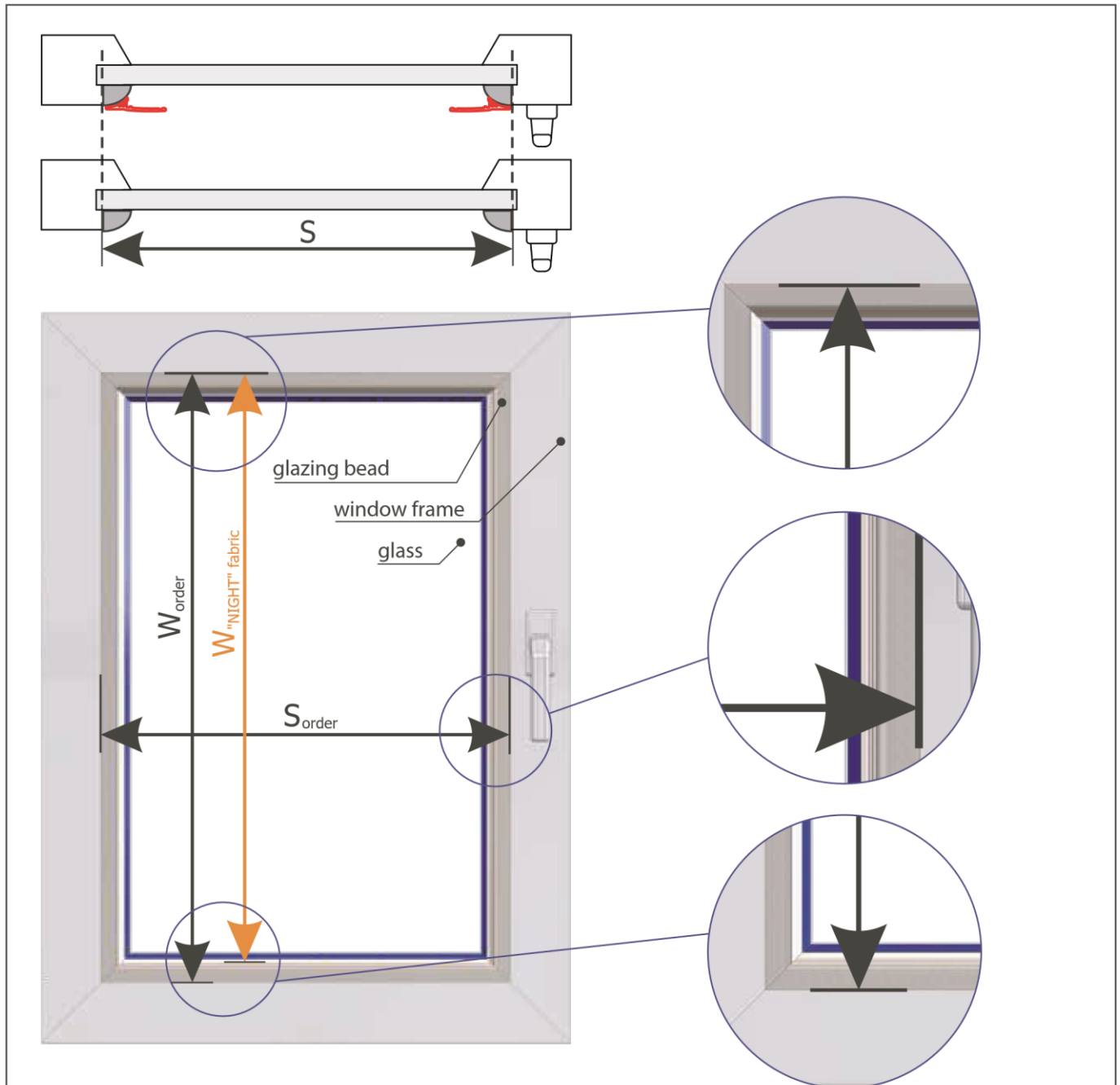
Fabric height ("Night" position)

Measurement should be taken from the top measuring point to the bottom glazing bead bevel.

MEASUREMENT CARD

Vegas CLASSIC / CLASSIC XL roller blinds, NIGHT and DAY fabric

Measurement by rounded glazing bead- according to the external edge of the glazing bead



Vegas CLASSIC / CLASSIC XL roller blinds

S - order width (rounded glazing bead)

Give the width of the external edges of the glazing beads.

W - order height (rounded glazing bead)

Give the height of the external edges of the glazing beads.

Fabric height ("Night" position)

Measurement should be taken from the top measuring point to the bottom glazing bead level.